

Yuasa NP Series VRLA Battery, 5 Years Design Life

The Yuasa NP series is a high energy density Valve Regulated Lead Acid (VRLA) battery that uses advanced plate technology and sealed construction. Its unique sealing technique prevents electrolyte leakage when the battery is mounted either horizontally or vertically. Manufactured in Yuasa quality assured factories, the Yuasa NP series offers absolute reliability and minimal maintenance for end users.

- Sealed construction with pressure relief system
- Operation in any orientation (*except in an inverted position*)
- Heavy duty grids
- Low self discharge
- Wide operating temperature range (-15°C to +50°C)
- Recyclable materials used in battery

General Performance

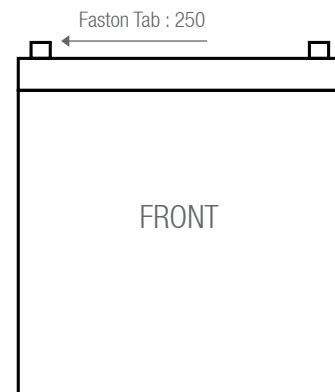
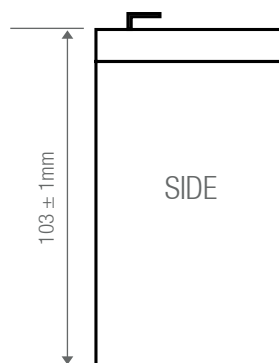
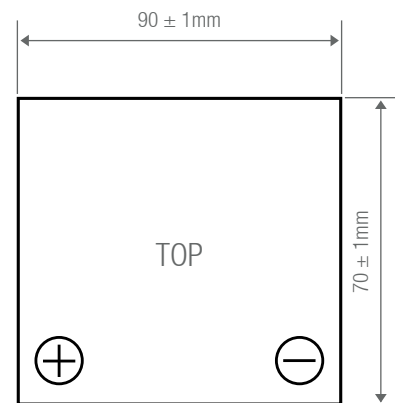
Battery	NPH5-12FR	
Application	Standing	
Design Life	5 Years	
Nominal Capacity	5Ah	
Actual Capacity at 25°C	1 hour rate to 1.60Vpc	3.75Ah
	5 hour rate to 1.70Vpc	4.5Ah
	10 hour rate to 1.75Vpc	5.0Ah
	20 hour rate to 1.75Vpc	5.5Ah

Electrolyte

Fully charge density at 25°C	1.300
Density Range	1.290-1.310
Gelled/Absorbed	Absorbed
Mounting Orientation	Vertical/Horizontal

Plates

Positive Plates:	
Type	Flat
Material of grid	Lead-Calcium-Tin Alloy
Negative Plates:	
Type	Flat
Material of grid	Lead-Calcium-Tin Alloy



Yuasa NP Series VRLA Battery, 5 Years Design Life

Physical Properties

Separators	
Type	Glass Mat
Is glass fibre included?	Yes
Container & Cover Materials	
Lid Material, Colour	Acrylonitrile Butadiene Styrene ABS / Black
Container Material, Colour	Acrylonitrile Butadiene Styrene ABS / Grey
Flame Retardant	Yes
Safety Vent Operational Pressure	20kPa
Dimensions:	
Overall Width	90mm
Depth	70mm
Height	103mm
Overall Height	106mm
Battery Weight (kg)	
Total Weight (wet)	2kg

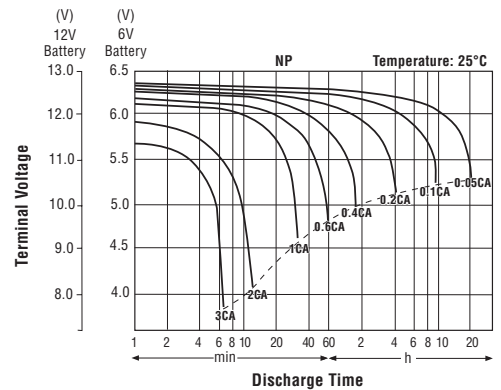
Electrical Properties

Self Discharge Rate @ 20°C	<3% per month		
Normal Charge (Amperes)	0.5A		
Max. Charge (Amperes)	1.25A		
Internal Resistance (mOHMS)	18 mΩ		
Volts End of Charge	2.260Vpc @ 25°C		
	20°C	25°C	30°C
Float Voltage (Vpc)	2.275Vpc	2.260Vpc	2.245Vpc
Float Current (mA)	<5mA	<5mA	<5mA
Initial Short circuit current (A)	450		
Efficiency at 10 hour rate (%):			
Ampere-Hour	>90%		
Watt-Hour	>80%		

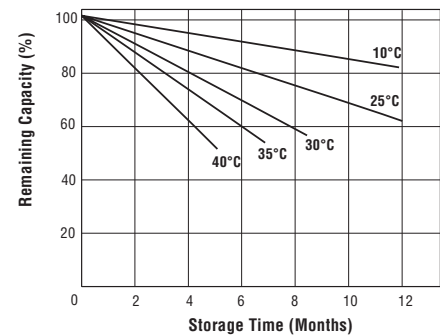
Compliant Standard

Battery Standard	JIS C8702
------------------	-----------

Discharge Characteristic Curves: NP Batteries



Self Discharge Characteristics



Temperature Effects in Relation to Battery Capacity

