



Product Specification NP38-12FR

Product NO.
175011

Yuasa NP Series VRLA Battery, 5 Years Design Life

The Yuasa NP series is a high energy density Valve Regulated Lead Acid (VRLA) battery that uses advanced plate technology and sealed construction. Its unique sealing technique prevents electrolyte leakage when the battery is mounted either horizontally or vertically. Manufactured in Yuasa quality assured factories, the Yuasa NP series offers absolute reliability and minimal maintenance for end users.

- Sealed construction with pressure relief system
- Operation in any orientation (*except in an inverted position*)
- Heavy duty grids
- Low self discharge
- Wide operating temperature range (-15°C to +50°C)
- Recyclable materials used in battery

General Performance

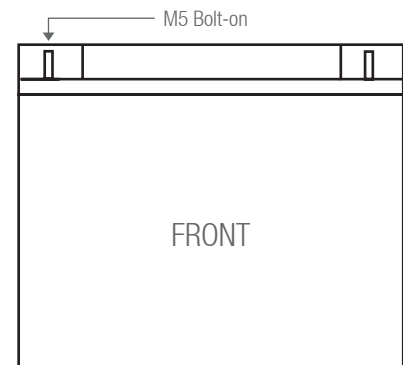
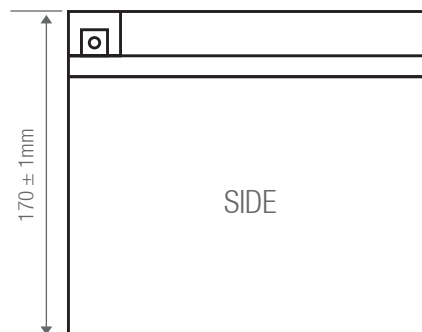
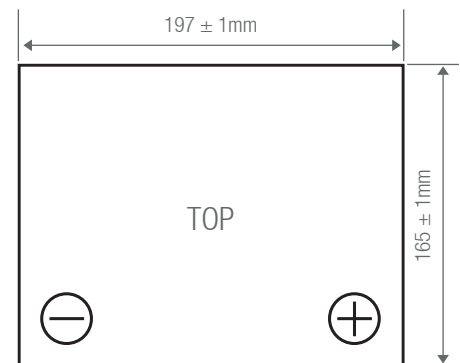
Battery	NP38-12FR	
Application	Floating	
Design Life	5 Years	
Nominal Capacity	38Ah	
Actual Capacity at 25°C	1 hour rate to 1.60Vpc	23.75Ah
	5 hour rate to 1.70Vpc	32.8Ah
	10 hour rate to 1.75Vpc	34.5Ah
	20 hour rate to 1.75Vpc	38Ah

Electrolyte

Fully charge density at 25°C	1.300
Density Range	1.290-1.310
Gelled/Absorbed	AGM
Mounting Orientation	Horizontal/Vertical

Plates

Positive Plates:	
Number/cell	3
Type	Flat
Material of grid	Lead-Calcium-Tin Alloy
Thickness	3.5mm
Negative Plates:	
Number/cell	4
Type	Flat
Material of grid	Lead-Calcium-Tin Alloy
Thickness	2mm



Yuasa NP Series VRLA Battery, 5 Years Design Life

Physical Properties

Separators	
Type	Glass Mat
Is glass fibre included?	Yes
Container & Cover Materials	
Lid Material, Colour	Acrylonitrile Butadiene Styrene ABS / Black
Container Material, Colour	Acrylonitrile Butadiene Styrene ABS / Grey
Flame Retardant	Yes
Safety Vent Operational Pressure	20kPa
Dimensions:	
Overall Width	197mm
Depth	165mm
Overall Height	170mm
Battery Weight (kg)	
Total Weight (wet)	13.8kg

Electrical Properties

Self Discharge Rate @ 25°C	<3% per month		
Normal Charge (Amperes)	3.8A		
Max. Charge (Amperes)	9.5A		
Internal Resistance (mOHMS)	6 mΩ		
Max. Sustained Current without damage (discharging)	200A		
Volts End of Charge	2.260Vpc @ 25°C		
	20°C	25°C	30°C
Float Voltage (Vpc)	2.275Vpc	2.260Vpc	2.245Vpc
Float Current (mA)	<38mA	<38mA	<38mA
Initial Short circuit current (A)	2250		
Efficiency at 10 hour rate (%):			
Ampere-Hour	>90%		
Watt-Hour	>78%		

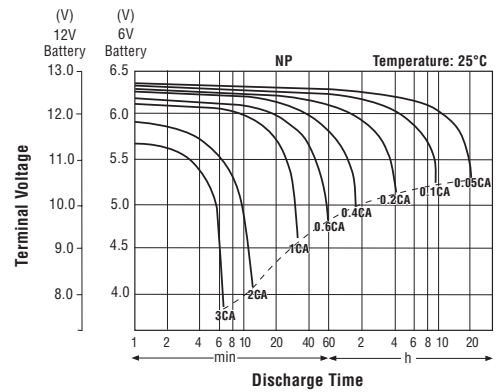
Torque Setting

Terminal Torque Setting	2.5 N.m.
-------------------------	----------

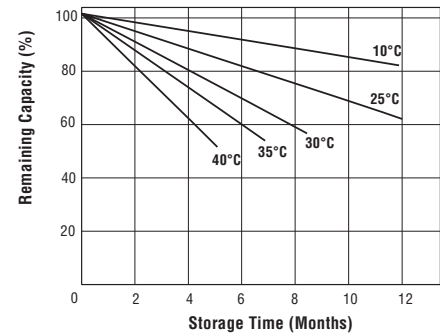
Compliant Standard

Battery Standard	JIS C8702
------------------	-----------

Discharge Characteristic Curves: NP Batteries



Self Discharge Characteristics



Temperature Effects in Relation to Battery Capacity

